



Phase-In • MOOVI

Road barriers product range

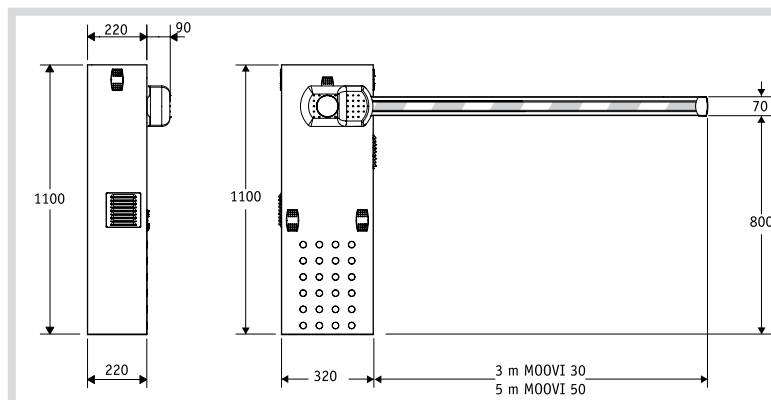


▶ New stainless steel product range

In order to withstand the most severe working environments, MOOVI road barriers are now available with satin etched AISI 304 STAINLESS STEEL casing. The MOOVI product range is now composed of the following items:

Product reference	Description	Passageway	Opening time	Colour
P940026 00002	MOOVI 30	3 m	4 s.	Hot dip galvanized steel RAL2002
P940027 00002	MOOVI 30 RMM	3 m	4 s.	
P940030 00002	MOOVI 30 S	3 m	1,5 s. + slowdown.	
P940027 00004	MOOVI 30 RMM	3 m	4 s.	Satin etched AISI304 stainless steel
P940031 00002	MOOVI 30 S	3 m	1,5 s. + slowdown.	
P940028 00002	MOOVI 50	5 m	8 s.	Hot dip galvanized steel RAL2002
P940029 00002	MOOVI 50 RMM	5 m	8 s.	
P940029 00004	MOOVI 50 RMM	5 m	8 s.	

▶ Dimensions

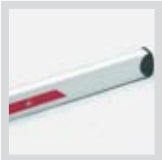




Phase-In • MOOVI

Road barriers product range

▶ Accessories



N728020 - ELL 3
One-piece 3 m boom.



N728021 - ELL 5
One-piece 5 m boom.



P120002 - KIT MOOVI 130
External photocell post kit



N728029 - MOOVI ART90
90-degree articulated boom for MOOVI30, 50, 30S. Max opening 3,8m.



D940008 - MOOVI GA
Movable boom rest rod



D940009 - MOOVI GAMA
Movable boom rest rod, shock absorbing.



P120004 - KIT MOOVI PRM
Kit to protect hands from shearing.



P120003 00001 - PCA 3
Boom upper and lower casing profile in rubber for MOOVI (Boom max 3m).



P120003 00002 - PCA 6
Boom upper and lower casing profile in rubber for MOOVI (Boom max 6m).



P120001 00001 - KIT MOOVI LIGHT
Lighting kit for 3 or 4.5 m booms. To be used in combination with the MOOVI PCA kit



P120001 00002 - KIT MOOVI LIGHT1
Lighting kit for 5 or 6 m booms. To be used in combination with the MOOVI PCA kit



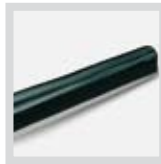
D730251 - CBO
MOOVI mod. anchor base.



D573003 - SB
Fence to be mounted on the boom, it is provided with L shaped mounting profile. Cannot be applied to BGV/ MOOVI 30 models. Its application in the other models gives rise to a reduction of the overall length of the boom (see table).



D730088 - FAF
Fixed bar rest fork.



N190104 - BIR C
Rubber safety edge.



P111408 - SCS WIE
Circuit board for direct connection of wiegand accessories (such as SELETTO, COMPAS SLIM, etc) to the control units QSC D MA, LIBRA C MA, LIBRA C MV, LIBRA C LX, VENERE D, LEO D MA, LEO MV, RIGEL 5 and ALTAIR P.



P111376 - SCS 1
Serial connection board for QSC D MA, LIBRA C MA, LIBRA C MV, LIBRA C LX, VENERE D, LEO D MA, LEO MV, RIGEL 5 and ALTAIR P.



Phase-In • MOOVI

Road barriers product range

CALCULATING THE MAXIMUM BOOM LENGTH OF MOOVI ROAD BARRIERS BASED ON THE ACCESSORIES INSTALLED.

Boom ELL3 or ELL5	Boom	Boom	Boom	Boom	Boom	Boom	Boom	Boom	Boom	Boom	Boom	Boom	Boom	Boom	Boom	Boom
SB	SB	SB	SB						SB	SB	SB					
PCA (only above the boom)	PCA	PCA		PCA	PCA				PCA	PCA		PCA	PCA			
PCA (under and above the boom)						PCA	PCA							PCA	PCA	
KIT LIGHT end KIT LIGHT 1	LIGHT			LIGHT		LIGHT			LIGHT			LIGHT		LIGHT		LIGHT
MOOVI GA or MOOVI GAMA	GA GAMA	GA GAMA	GA GAMA	GA GAMA	GA GAMA	GA GAMA	GA GAMA	GA GAMA								
PASSAGEWAY MOOVI 30 (m)				2,7 m	2,7 m	2,5 m	2,6 m	2,9 m				3,0 m	3,0 m	2,9 m	3,0 m	3,0 m
PASSAGEWAY MOOVI 50 (m)	3,3 m	3,3 m	3,5 m	4,6 m	4,8 m	4,4 m	4,5 m	5,0 m	3,6 m	3,6 m	3,7 m	5,0 m	5,0 m	4,8 m	5,0 m	5,0 m

EXAMPLE FOR MOOVI 50: BOOM + SB + PCA + LIGHT + GA = BOOM MAX. ELL5 3,3m

NOTE: The values shown in the chart are referred to the boom maximum length. Booms shorter than what is shown have to be verified and correctly balanced.

FENCE - SPECIFY DIMENSIONS WHEN ORDERING

When ordering indicate the working passageway

